

Bidirectional Hybrid HVDC CB with a single HV Valve

Dragan Jovcic, *Senior Member, IEEE*, Mario Zaja, *Student Member, IEEE* and Mohammad Hedayati, *Member, IEEE*

Abstract – This paper examines two new bidirectional hybrid dc circuit breaker topologies for application in meshed dc grids. The goal is to retain performance of hybrid DC CB with bidirectional current interruption, while reducing semiconductor count, DC CB size and weight. The fault current is routed to the unidirectional internal valve using multiple additional ultrafast disconnectors. Operation of both topologies is studied using a 320 kV, 16 kA simulation model, as well as demonstrated on a 900 V, 500 A lab prototype. The control systems are presented and discussed in detail. The low-voltage hardware prototypes verify performance of several new technical and operating solutions in laboratory conditions. A comparison is made with the existing DC CB topologies and performance and reliability compromises of each topology are assessed. The conclusion is that it might be possible to halve the DC CB semiconductor count while retaining same 2 ms opening speed and bidirectional operation.

Index Terms-- DC meshed grids, HVDC protection, HCB, fault current limiting.

I. INTRODUCTION

Substantial recent interest in developing high voltage (HV) DC grids has resulted in research and technology advances of the HVDC circuit breaker (CB) technology [1]-[8]. Different DC CB technologies (i.e. solid state, mechanical, and hybrid) have been developed and high-voltage prototypes demonstrated in the past few years [2]-[8]. The mechanical breaker based on active current injection [2]-[4] benefits from low cost and losses but the opening time is fairly long, in the range of 5-8 ms, while recent demonstrations with VSC assisted mechanical DC CB demonstrated 10 kA interruption in 3 ms [5]. Solid-state breaker [2] on the other hand benefits from very short opening time but has excessive conduction losses, and therefore this topology is not considered attractive for HVDC applications.

The hybrid IGBT-based DC CB (HCB) offers benefits of the above two technologies [8]-[9]. Low-loss operation in closed state is achieved using mechanical branch to conduct load current while a semiconductor valve provides fast current breaking capability. The main valve is a critical HCB component, and it is similar to one of the 6 valves in a typical VSC HVDC converter station [10]. If bidirectional current interruption is required, then two main valves are needed.

In all publications on hybrid DC CB [8]-[9], bidirectional device is assumed, however it is clear that a unidirectional version is feasible and will be available as a commercial

product. The performance requirements for each project will specify if unidirectional or bidirectional HCB is needed.

Reference [11] presents slightly different HCB based on full-bridge cells in the main valve, which has bidirectional interruption capability. Unidirectional version could be developed using less-expensive half-bridge cells.

Reference [12] recognizes that there is potentially significant cost saving if a unidirectional main valve is used. It proposes a new bidirectional HCB where the main branch consists of a single HV IGBT valve and 4 HV diode valves under the assumption that diode valve is considerably less expensive and has better reliability than IGBT valve. Nevertheless this HCB requires 4 diode valves rated for line voltage which will have substantial size and weight despite its presumed lower cost.

The high-cost (bidirectional) main breaker branch of HCB can be shared between two HCBs on two nearby lines in a DC substation as it is analyzed in [13].

Driven by the potential for significant HCB simplification, this paper examines further solutions for a bidirectional hybrid DC CB. The primary goal is to reduce semiconductor count, but also to analyse performance and reliability compromises required with each topology. The findings will be illustrated using PSCAD modeling, but also confirmed on a 900 V, 500 A laboratory DC CB hardware demonstrator.

II. APPLICATION FOR BIDIRECTIONAL HCB

A. Unidirectional DC CB

Fig. 1 shows schematic for a unidirectional hybrid DC CB. It includes a unidirectional load commutation switch (LCS) and unidirectional main valve, while all other components are identical as in bidirectional DC CB [9]. The main valve consists of multiple cells which can be individually controlled. The inductor L_p represents parasitic inductance.

Operating principle and control of this DC CB topology is given in [9],[14]. Only a summary is given here. Opening process begins by turning LCS off which commutates current into the main branch. When auxiliary branch current reaches zero, ultrafast disconnector (UFD) S_1 begins opening. It fully opens in 2ms, facilitating HV insulation for the LCS. At this stage T_2 turns off transferring current into the energy absorption branch. Once the current through the inductor falls below the residual current limit, residual current breaker (RCB) S_2 opens and fully isolates the breaker.

Unidirectional DC CB may suffice in many applications and potential applications are studied in [15]. As an illustration, Fig. 2 shows a 4-terminal (5-node) DC grid which employs 4 unidirectional DC CBs. As an example, DC CB_{5_3} would be required to operate only for the shown fault (on cable 53). There is no benefit in having bidirectional operation, not even for back-up protection since AC CBs on each radial line act as back-up protection.

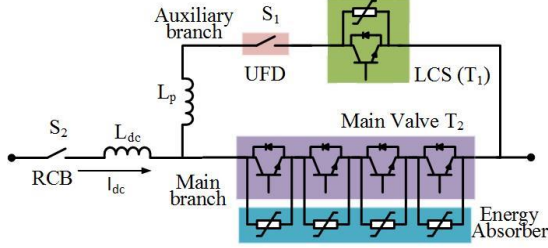


Fig. 1. Unidirectional HVDC CB

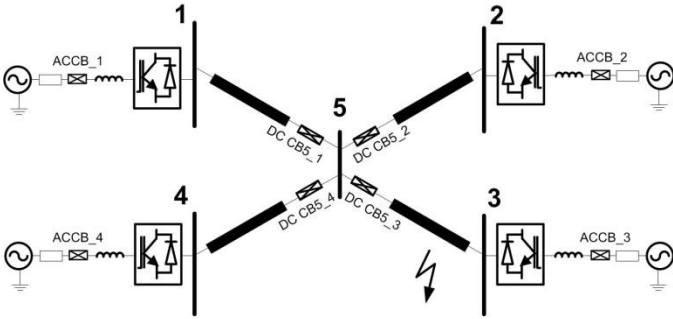


Fig. 2. Radial DC grid with 4 unidirectional HVDC CBs

B. Bidirectional DC CB

A bidirectional HCB will have two main valves as described in [9] and for completeness illustrated in Fig. 3. This topology is very similar to unidirectional topology shown in Fig. 1, the only difference being that both the LCS and main branch are implemented in bidirectional configuration with two valves, doubling the count of semiconductors.

Fig. 4 shows a 4-terminal (6-node) DC grid with a single bidirectional DC CB. In this case the grid has two protection zones (as indicated), and DC CB_{6_5} would be required to operate for a fault on any location in this DC grid.

However, in most applications in complex DC grids, assuming fully or partially selective protection, primary protection function will be achieved with unidirectional DC CBs. The back-up protection and bus-bar protection, if these are required, will demand bidirectional breaking function of some installed DC CBs.

In the open and closed states, system-level performance of the unidirectional and bidirectional DC CB types is essentially the same as they block or conduct current in both directions. Bidirectional current blocking of open HCB is achieved by having RCB open. Meanwhile, antiparallel diodes in the LCS ensure that current can flow in both directions through the auxiliary branch when the breaker is closed.

The main difference between the two topologies is the inability of a unidirectional HCB to open under current in both directions. As shown in Fig. 1, IGBTs of both LCS and T₂ carry the current in only one direction while antiparallel diodes carry it in the other.

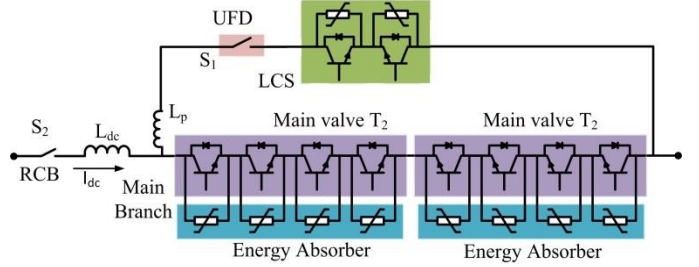


Fig. 3. Bidirectional HVDC CB with 2 main valves (topology 1)

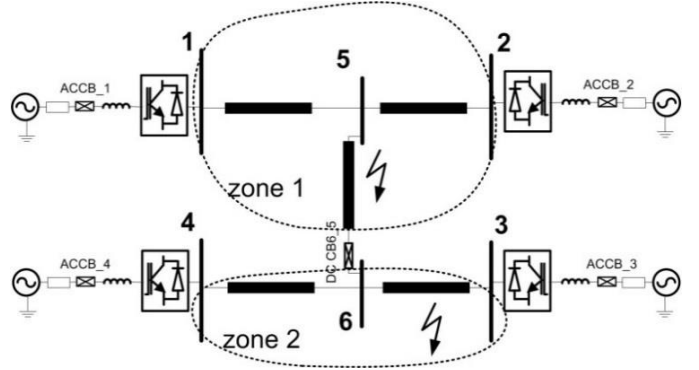


Fig. 4. DC grid with a bidirectional HVDC CB

In order to break current in both directions, both the auxiliary and main branch need to have bidirectional blocking capability. Since LCS is typically implemented as a 3x3 matrix of IGBT modules [16] and thus constitutes a very small portion of the total DC CB cost, bidirectional blocking capability of the auxiliary branch is achieved by simply adding another LCS facing the opposite direction. With this arrangement, operating time and control of the auxiliary branch remain unaffected, however, conduction losses are increased compared to unidirectional topology.

On the other hand, achieving bidirectional blocking capability of the main branch requires two main valves which leads to higher cost, size and weight compared to unidirectional solution. The HCB with two main valves as shown in Fig. 3, will be labelled topology 1. Two new topologies will be investigated:

1. Unidirectional main valve with 2 UFDs (topology 2)
2. Unidirectional main valve with 4 UFDs and 4 LV switches (topology 3).

III. UNIDIRECTIONAL MAIN VALVE WITH 2 UFDs

A. Topology description

Fig. 5 shows bidirectional HCB with a single main valve and 2 double-throw UFDs. The bidirectional breaking capability is achieved using double-throw UFDs S₃ and S₄ to route the current in the positive direction through T₂ regardless of the line current direction. S₃ and S₄ are controlled simultaneously and have two positions, 0 and 1. If DC current I_{dc} is positive then position 1 directs current I_{T2} in positive direction through T₂. If I_{dc} is negative, then position 0 directs current I_{T2} in positive direction through T₂. The justification for this topology is that cost of two UFDs (mechanical devices) is expected to be favorable compared to cost of a full main valve T₂. The UFDs

S_3 and S_4 are similar to S_1 , and are assumed to operate in $2ms$ [17], except that double throw contacts are employed.

A schematic of double-throw UFD is shown in Fig. 6. The switch topology is similar to a conventional single-throw UFD, which has Thomson coils (TCs) to move actuator disks in both directions [17]. Similarly as single throw UFD, the double-throw UFD has two positions. The difference is only in the contact assembly, since one of the rods has two sets of contacts attached to it, also known as throws.

There have been no reports of double-throw UFDs being manufactured for HV applications. However, given the similarities with single-throw UFDs which have been built and tested at high voltage [8],[11],[17], it is unlikely that any major obstacles would be encountered in making these devices.

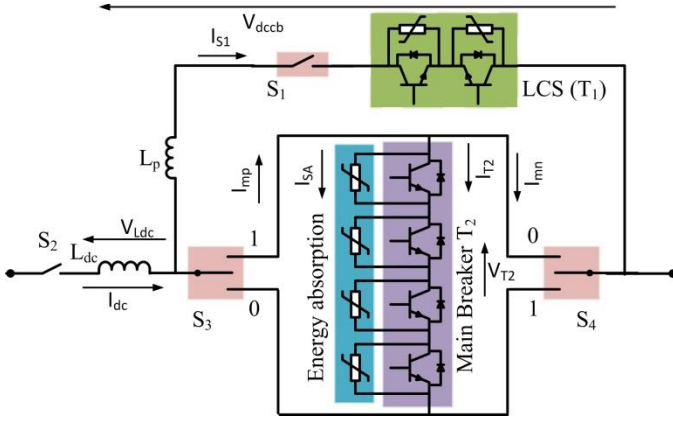


Fig. 5. Bidirectional HVDC CB with single main valve and 2 UFDs (topology 2)

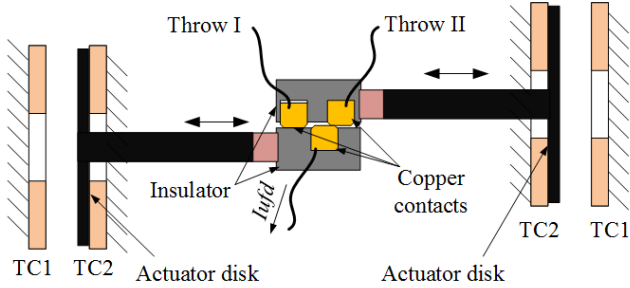


Fig. 6. Single pole, double-throw UFD schematic

B. Control logic

Control system for this topology is shown in Fig. 7. The control signals for mechanical switches are named $S_1 \dots S_4$ while feedback (status) signals are named $S_{1s} \dots S_{4s}$ (open - 0, closed - 1). Control signals of semiconductor switches, as well as current measurements, are shown in Fig. 5.

The protection relay will normally be sending one signal to HCB [14], denoted as K_{grid} in Fig. 7. The block “directional logic” uses current, voltage and switch position measurements (switch positions S_{3s} and S_{4s} , line current I_{dc} , inductor voltage V_{Ldc} and voltage across the whole HCB V_{DCCB}) to determine if DC CB is oriented in the expected direction of current in either opening or closing. This directional HCB logic can be implemented either in relay or in the HCB itself. Not all measurements need to be internal to the breaker. V_{Ldc} is only used to determine the sign of I_{dc} differential which can also be

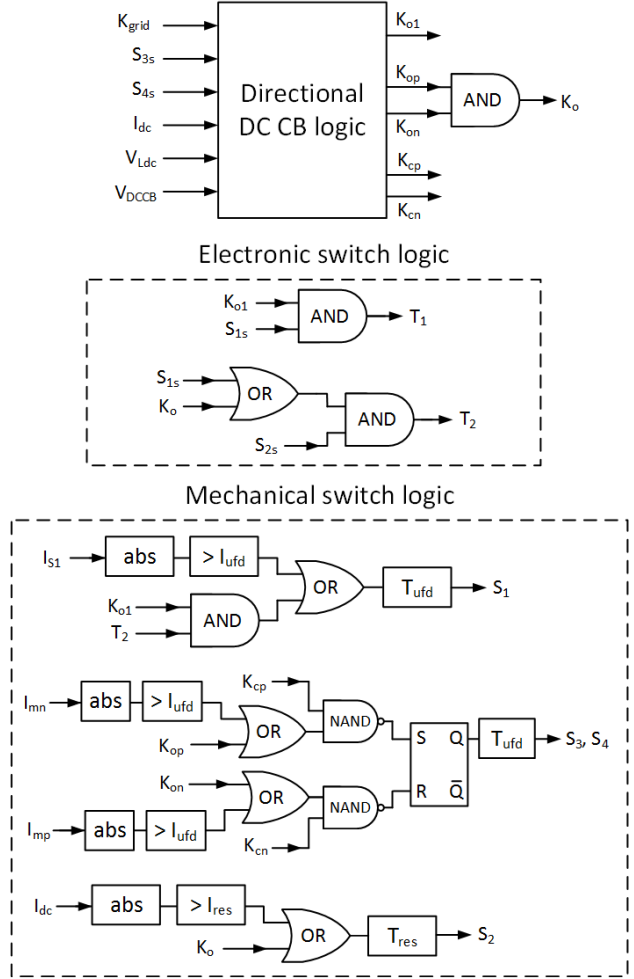


Fig. 7. Control logic of bidirectional HCB with single T_2 and 2 UFDs

obtained directly from I_{dc} measurements. The sign of V_{DCCB} is used to determine the closing direction of the breaker and this measurement can be obtained as a difference between cable and DC bus voltage. Once the direction is determined, internal opening (K_{o1}, K_{op}, K_{on}) and closing (K_{cp}, K_{cn}) signals are generated. The opening sequence is as follows:

1. K_{grid} is set to zero which initiates HCB opening.
2. Directional logic determines the opening direction. Setting K_{op} or K_{on} to 0 initiates opening in the positive or negative direction respectively.
3. If the sign of I_{dc} corresponds to the sign of V_{Ldc} (indicates current differential) and S_3 and S_4 are aligned in the desired opening direction, K_{o1} is set to 1 which opens T_1 . This logic ensures that the current will not change direction if commutated into T_2 , as well as that S_3 and S_4 have finished moving.
4. If sign of I_{dc} differs from the sign of V_{Ldc} , opening of T_1 is delayed, since this indicates that current will change direction. When current crosses zero, the opening process continues normally.
5. If S_3 and S_4 are not oriented in the direction of (fault) current, a command is issued to change the position. The position change of S_3 and S_4 takes $2ms$ (T_{ufd}).
6. Once the opening criteria for the auxiliary branch are satisfied, T_1 is turned off and current commutates into the main branch. When current through S_1 falls below its

chopping capability I_{ufd} (assumed as 1 A [17]) S_1 opening command is given and it opens in 2 ms.

T_2 turns off as soon as confirmation is received that S_1 is open. Current commutates into the energy absorption branch which isolates the fault.

- S_2 opens when the residual current falls below the limit I_{res} (assumed as 10 A). This step takes around 30 ms (T_{res}).

The closing sequence is:

- K_{grid} is set to 1 which initiates the closing sequence. Closing direction is determined from the sign of $V_{\text{DC CB}}$.
- S_3 and S_4 are directed to the corresponding position by setting K_{cp} or K_{cn} to 0.
- Closing command is sent to S_2 which closes in 30 ms.
- Upon receiving confirmation that S_2 is closed, T_2 turns on at which point DC CB starts conducting.
- Closing of main valve initiates 2 ms closing of S_1 .
- Upon receiving confirmation that S_1 is closed, T_1 turns on and current commutates into the auxiliary branch.

The total opening time of this topology is either 2 or 4 ms, depending on the initial orientation of S_3 and S_4 with respect to the fault current direction. Faster opening is achieved if the two are aligned since S_3 and S_4 do not operate. S_3 and S_4 do not carry any current in closed state and can be manipulated. This can be used to an advantage by maintaining S_3 and S_4 orientation in the direction with higher probability of fault occurrence, such as towards the cable rather than a DC bus. Nevertheless, L_{dc} needs to be dimensioned for the worst-case scenario (4 ms opening) which implies a twofold increase in installed series inductance compared to topology 1.

C. Simulation results

PSCAD Simulation results for a 320 kV, 16 kA HCB with 2 UFDs are shown in Fig. 8. Main breaker parameters are given in Table II in the appendix. Fault is applied at 0.3 s in the negative direction (to study worst case) while trip order is given when line current exceeds 8 kA. S_3 and S_4 are initially in position 0 which requires change in orientation and results in 4 ms breaker opening time. The results verify opening sequence described in section III. A. Fig. 8 (c) shows that load current $I_{\text{dc}} < 0$, but current in the main branch $I_{T2} > 0$. Voltage spike appearing across T_1 is caused by parasitic inductance L_p as analyzed in [16] and is limited by the T_1 surge arrester. Fig. 8 (e) shows that all three UFDs block the same voltage (voltages across S_3 and S_4 are given for the positive throw).

D. Laboratory hardware demonstration

Experimental verification of topology 2 has been carried out using 900 V, 500 A DC CB test circuit and HCB prototype, described in [18]. The main breaker parameters are given in Table III in the appendix. The low-voltage disconnect S_1 is described in some detail in [19], and two similar double throw UFDs S_3 and S_4 are fabricated as shown in Fig. 9.

Fig. 10 shows the component testing results for a single-pole double-throw UFD. The Thomson coil current shows approximately 2900A peak, which is required for fast opening. Both throws are energized with a low voltage of 2 V through 4 Ω resistors giving around 0.5 A in conducting state, which is the current level that UFD can interrupt. The two signals represent voltage measured across the resistors on each position of the UFD. It is seen that total operating time is around 2 ms. Because

of lateral contact overlap, UFD remains a closed circuit for approximately 0.4 ms after the pulse is given, and it starts arcing 0.4 ms before the final closed state.

Current breaking operation of the topology 2 HCB prototype is demonstrated in Fig. 11. S_3 and S_4 are initially oriented in the opposite direction from the fault to simulate worst-case scenario. Because of negative current, T_1 conducts for the first 2 ms while S_3 and S_4 reconfigure positions. After S_3 and S_4 change position, T_1 turns off and current commutates into the main branch. It takes additional 2 ms for S_1 to open. The total time for voltage to recover is 4 ms, and then it takes additional 4 ms for current to reduce to zero.

The applied DC voltage is 900V, while peak voltage stress on switches is limited to 1500V by the energy absorbers. The authors have obtained these encouraging results on low-voltage prototypes only, and further tests at higher voltages and currents would be required as the next development step.

IV. UNIDIRECTIONAL MAIN VALVE WITH 4 UFDs AND 4 LV SWITCHES

A. Topology description

Fig. 12. shows bidirectional HCB topology where main branch consists of a single T_2 valve, 4 UFDs and 4 LV (low

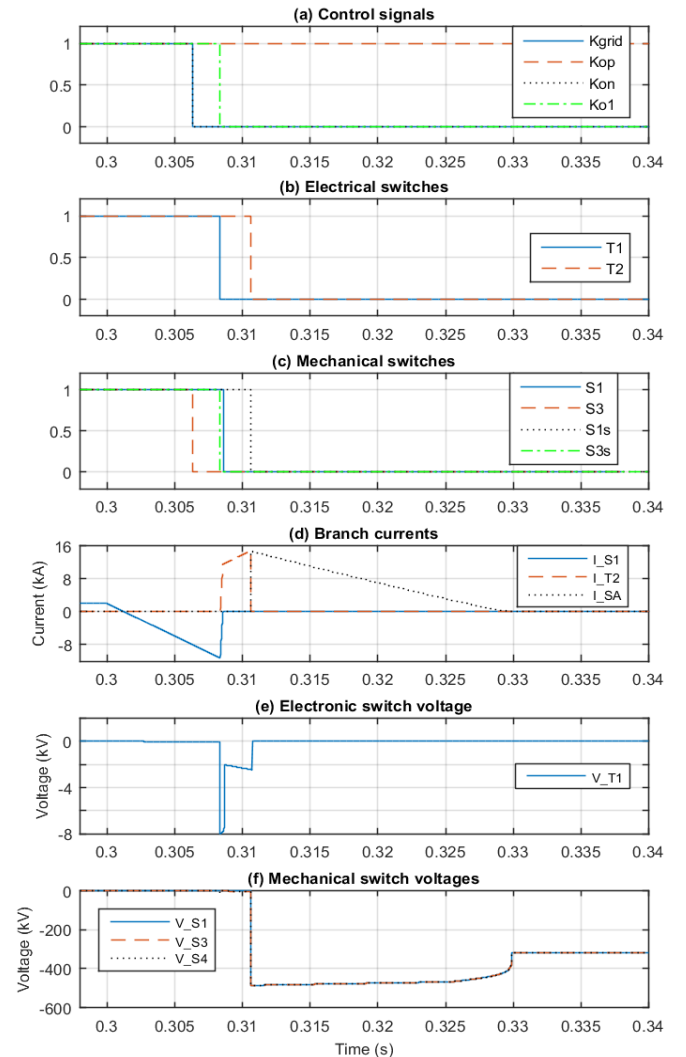


Fig. 8. Opening of DC CB topology 2 under negative fault current

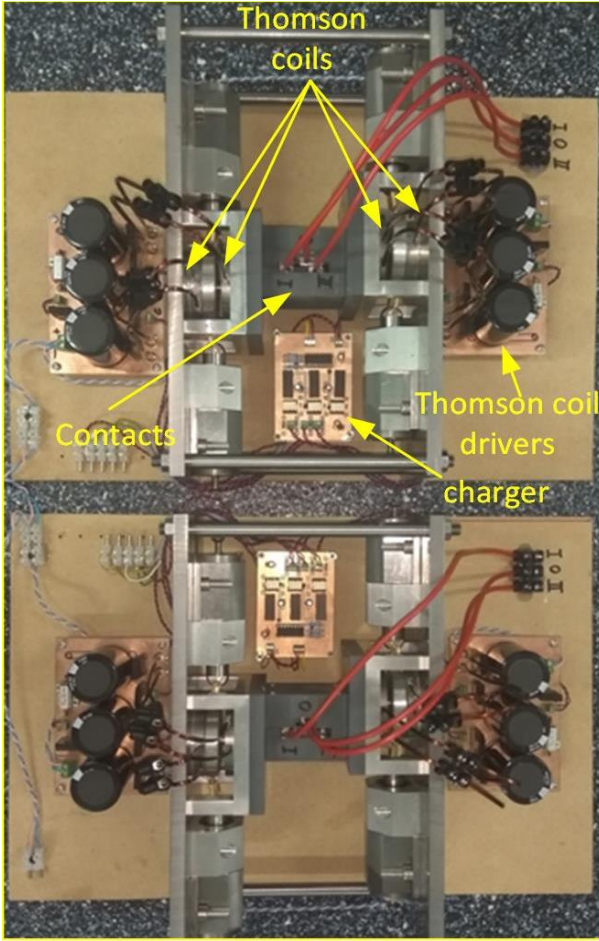


Fig. 9. Two single-pole double throw UFDs.

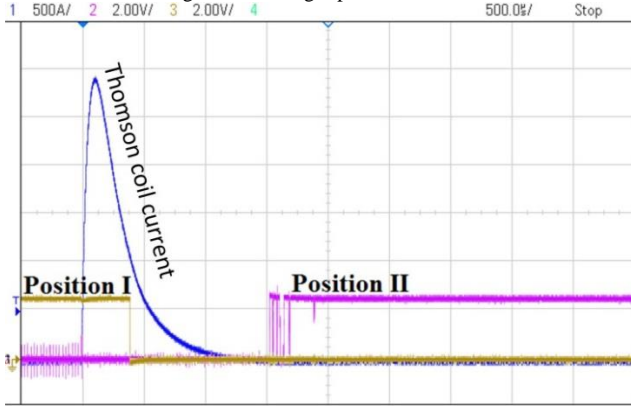


Fig. 10. Testing of single-pole double throw UFD. Current: 500A per division. Position I and II: 2V per division.

voltage) switches (diodes). LV switches are oriented in pairs (D_{p1} - D_{p2} and D_{n1} - D_{n2}) and used to route the current through the main branch. The arresters across diodes are placed to eliminate voltage spikes at switching, similarly as with LCS, and have no energy absorption requirement. If load current is positive, diodes D_{p1} and D_{p2} direct current through T_2 in the positive direction. If load current is negative, D_{n1} and D_{n2} direct current through T_2 in the positive direction. Once the current direction is established, UFDs of non-conducting LV switches open to provide HV insulation before T_2 turns off. Diodes take full current stress (no voltage blocking) while UFDs take full voltage stress (no current interruption). This

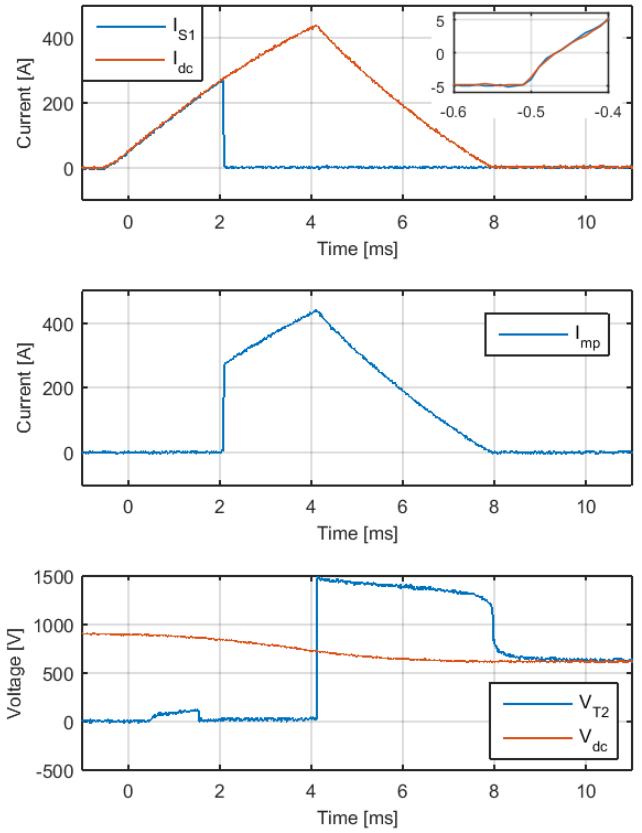


Fig. 11. Experimental test response of topology 2.

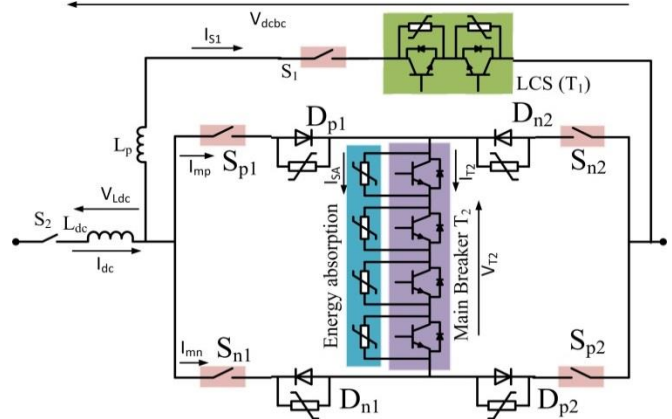


Fig. 12. Bidirectional HVDC CB with a single main valve, 4 UFDs and 4 LV switches (topology 3).

arrangement will have substantially lower semiconductor count compared with 4 HV-rated diode valves in [12].

A major advantage of this approach, compared with topology 2, is that UFDs in the main branch operate simultaneously with the auxiliary branch UFD S_1 so the total opening time remains $2ms$ (same as for topology 1).

B. Control logic

The control system is shown in Fig. 13. Since all four UFDs in the main branch are closed in normal (closed) operation, current is redirected using diodes and directional logic is simpler than with topology 2. The opening sequence is:

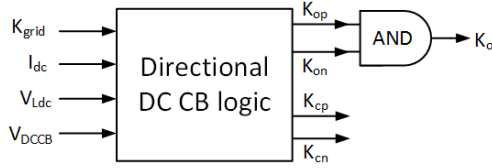
1. K_{grid} is set to zero which instructs HCB to open. Opening direction is determined from the sign of V_{Ldc} . Once the sign

of I_{dc} becomes equal to the sign of V_{Ldc} , opening sequence is initiated by setting K_{op} or K_{on} to 0.

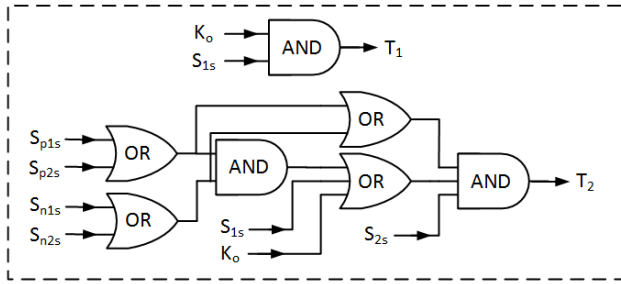
2. As T_1 turns off, current commutates into the main branch. When current through UFD falls below their breaking capability I_{ufd} , opening command is given to S_1 and 2 of UFDs in the main branch. S_1 opens simultaneously with S_p or S_n pair so the whole process takes only 2 ms.
3. T_2 turns off as soon as confirmation is received that S_1 and S_p or S_n are fully open. Current commutates into the energy absorption branch which isolates the fault.
4. S_2 opens when line current falls below the limit I_{res} .
5. The remaining main branch UFDs open when their current falls below I_{ufd} .

The closing sequence of topology 3 is:

1. K_{grid} is set to 1. Depending on the sign of $V_{DC\ CB}$, current direction is determined and corresponding signals K_{cp} or K_{cn} are set to 0.
2. Closing command is sent to S_2 which closes in 30 ms.



Electronic switch logic



Mechanical switch logic

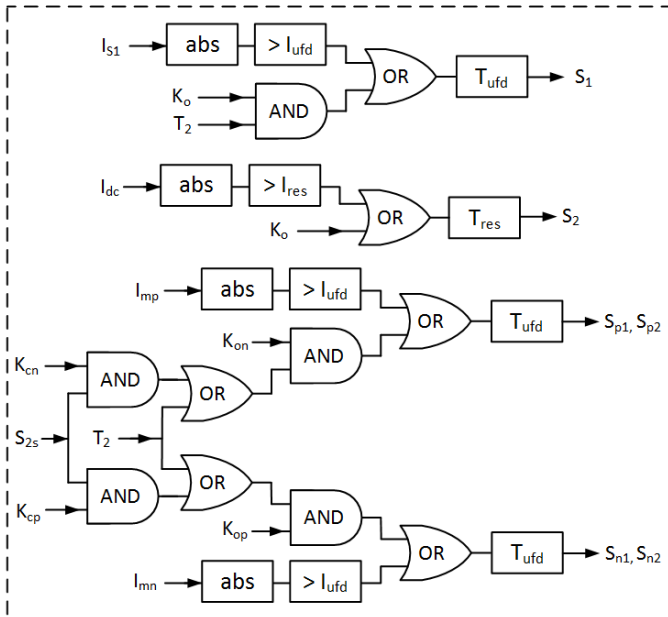


Fig. 13. Control logic for bidirectional HVDC CB with single T_2 , 4 UFDs and 4 LV switches.

3. Upon receiving confirmation that S_2 is closed, closing signal is sent to either S_p or S_n pair depending on the closing direction.
4. When either UFD pair closes T_2 turns on. HCB starts conducting at this point.
5. Closing of main valve triggers simultaneous closing of S_1 and the remaining S_p or S_n pair. This takes 2 ms.
6. Upon receiving confirmation that S_1 is closed, T_1 turns on and current commutates into the auxiliary branch.

The total opening time for topology 3 is 2 ms irrespective of fault direction which is a significant improvement compared to topology 2. Since opening time does not differ from topology 1, L_{dc} size remains the same. As visible from Fig. 12, the energy absorption branch can be fully isolated using four main branch UFDs. Depending on the V-I characteristic of the main surge arrester, S_2 could be omitted from this topology if arrester leakage current is below UFD chopping current I_{ufd} .

On the downside, this topology requires 5 UFDs, and each of the 4 additional UFDs will have 2 bushings which increases space requirement. However, size and weight have not been analyzed in any depth in this article.

C. Stresses on diodes

Diodes are crucial new components in this topology, and their stresses will determine cost-effectiveness of this topology. The diodes conduct while T_2 conducts but also while energy absorber conducts. The peak current stress is same as for T_2 , i.e. peak interrupting current (16kA for the test system). They do not take load current. The diodes therefore conduct for 10ms-20ms at most and their thermal stress is larger than on T_2 . The simplest thermal management would be to install multiple parallel diodes to avoid forced cooling.

The peak voltage stress happens at the instant when current is commutated from the auxiliary branch to the main branch. The two diodes that do not conduct will experience reverse voltage equal to the voltage drop across T_2 at the commutation. The calculation of voltage stress on LCS is presented in detail in [16], and a similar procedure can be used. However, parasitic inductances L_p and others have no impact since diodes do not have fast turn off, and the expected peak voltage stress for 320kV HCB is 2-3kV.

The operating instant when T_2 turns off should be carefully analyzed since the peak current is commutated from T_2 to the energy absorber (with substantially higher voltage), while diodes should continue to conduct. This is very unusual operating condition for diodes, and the diode current should remain higher than the holding current (in tens of Ampere). In case when HCB is interrupting very low current, diode current may drop below holding current and diodes may turn off before UFD opens. The arresters across diodes ensures that in such case any voltage spike will not destroy diodes.

D. Simulation results

The opening process of a 320 kV, 16 kA topology 3 HCB is shown in Fig. 14, using identical test as for topology 2.

Main breaker parameters are given in Table II in the appendix. Simulation results show that DC CB opens in 2 ms irrespective of fault current direction. It is seen that the voltage across diodes remains low.

Closing process in the positive direction is shown in Fig. 15. Control signals are not shown since the closing command ($K_{grid}=1$) is given at 0.4 s (outside of the time range). Line current commutation into and from the main branch is smooth and no overvoltages appear across LV switches.

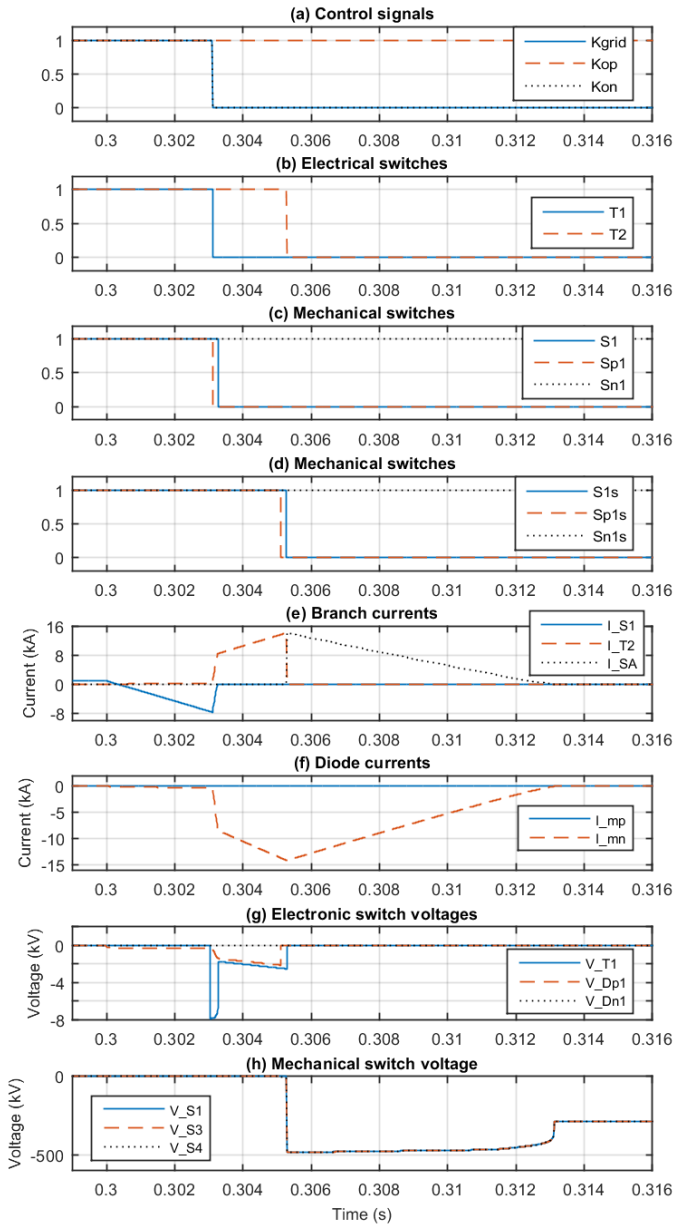


Fig. 14. Opening of topology 3 under negative fault current

E. Laboratory demonstration

A photograph of 4 diodes (ON Semi RURG8060, 600V, 80A) with their arresters is shown in Fig. 16. Low voltage (130V, EPCOS B72240B0750K001) arresters are used to confirm that proposed DC CB operates well with low diode voltage stress.

The test response of hardware HCB topology 3 is shown in Fig. 17. All parameters are given in Table III in the appendix.

Since current measurements are performed using a combination of AC and DC probes, the curves do not perfectly overlap. The additional diode resistance also causes some difference compared with the other topologies. Nevertheless, test results demonstrate that the opening time is identical to the

bidirectional HCB with two main valves. Voltage measurements across UFDs confirm they are fully open when the main valve turns off.

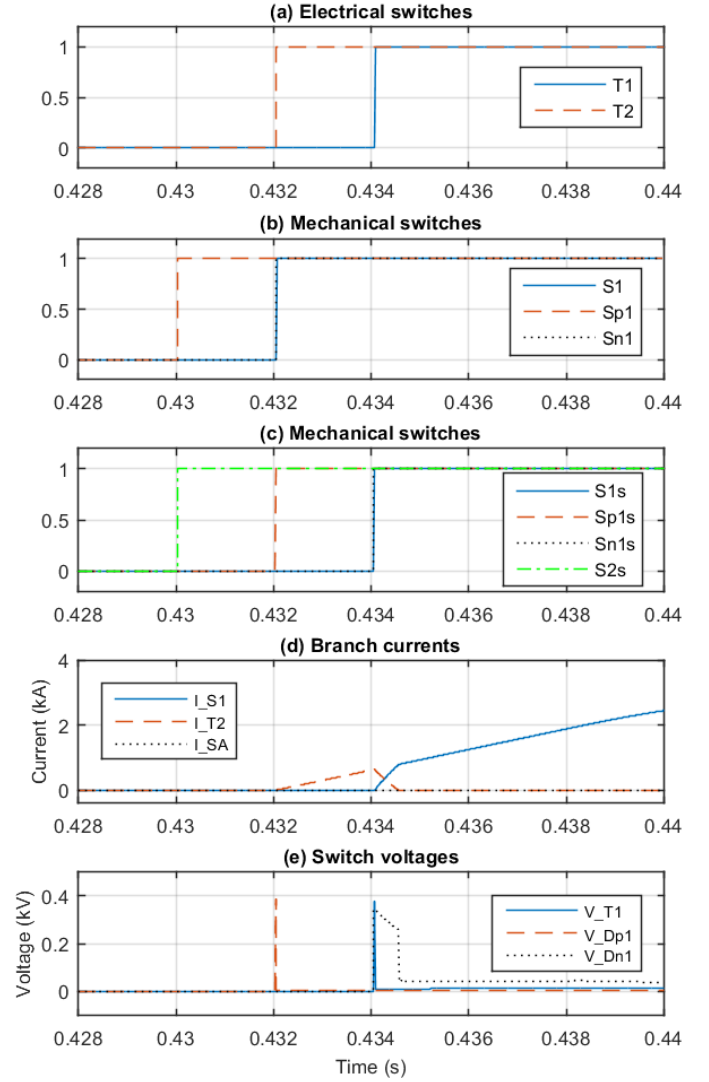


Fig. 15. Simulation of closing sequence of topology 3

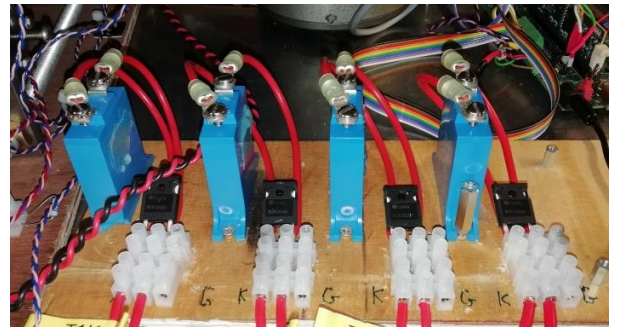


Fig. 16. 4 ON Semi diodes and arresters in topology 3

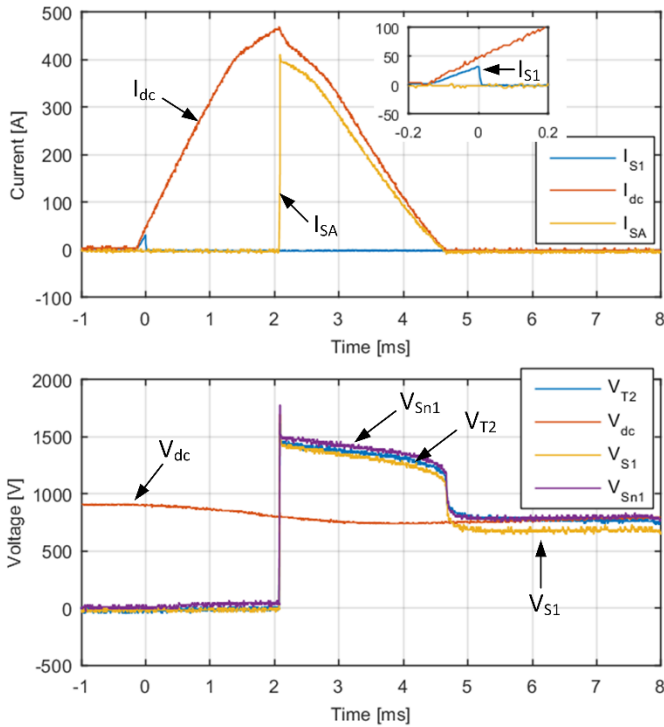


Fig. 17. Experimental test response of topology 3

V. COMPARISON OF TOPOLOGIES

Comparison between the three bidirectional HCB topologies is given in Table I. Topology 2 is the most cost-effective with the lowest number of components (electrical and mechanical). However, since opening time may be twice as long compared to the other two topologies (depending on current direction), it requires double the series inductance (to ensure adequate peak current) which also implies double the energy rating of energy absorbers. Also, this topology demands development of new device, double-throw UFD. This topology is nevertheless substantially more cost-efficient than topology 1 because of the lower number of semiconductors.

Topology 3 is the most attractive topology, offering identical system-level performance as topology 1 at half the number of semiconductors. Since topology 2 requires over-dimensioning of DC inductor and surge arresters, topology 3 would likely have the lowest overall cost.

Considering of immaturity of HCB technology, it is reasonable to expect higher UFD failure rate compared to electronic switches. Moreover, modular design of the HV valve and LCS makes them tolerant to single component failure whereas the same does not apply for UFDs. Topology 1 can therefore be considered the most reliable since it contains the least amount of critical components (only a single UFD).

With topologies 2 and 3, HCB might still operate if one (or in some cases even two) main branch UFDs malfunction, however, it can do so in only one direction.

Table I Comparison of bidirectional HVDC CB.

	Two T_2 valves	2 UFDs	4 UFDs, 2 thyristors
Operating time	2 ms	2-4 ms	2 ms
HV valve	2	1	1
LCS	Bidirectional	Bidirectional	Bidirectional
UFDs	1	3	5
Diodes	0	0	4
Inductor	100 mH	200 mH	100 mH

VI. CONCLUSION

Three bidirectional HCB topologies are analyzed in this paper. Topology 1 uses two HV valves which substantially increases semiconductor count, size and weight compared to a unidirectional HCB. The newly proposed bidirectional topology 2 uses only a single HV valve with two double-throw UFDs. However, it is concluded that the opening time in the worst-case scenario is doubled. The proposed topology 3 uses a unidirectional IGBT valve with additionally 4 UFDs and 4 diodes. This topology offers the same system-level performance as topology 1 but with half the number of semiconductors. On the other hand, increased number of mechanical components makes topologies 2 and 3 less reliable than topology 1. The experimental results on 900V 500A DC CBs have confirmed theoretical findings.

VII. APPENDIX. 320kV, AND 900V TEST SYSTEMS

Table II Parameters of the 320kV, 16kA HCB.

SL.NO.	PARAMETER	VALUE
1	Voltage rating	320 kV
2	Current rating	2 kA
3	Maximum Breaking current	16 kA
4	UFD operation time	2 ms
5	Limiting inductor L_{dc} (topology 2)	200 mH
6	Limiting inductor L_{dc} (topology 3)	100 mH
7	Parasitic inductance L_p	0.2 mH

Table III Parameters of the 900V, 500A HCB.

SL.NO.	PARAMETER	VALUE
1	Voltage rating	900 V
2	Current rating	30 A
3	Maximum Breaking current	500 A
4	UFD operation time	2 ms
5	Limiting inductor L_{dc} (topology 2)	7 mH
6	Limiting inductor L_{dc} (topology 3)	3.5 mH

VIII. ACKNOWLEDGMENT

The authors are thankful to Mr R. Osborne for help with the experimental studies.

IX. REFERENCES

- [1] D Jovic and K Ahmed "High Voltage Direct Current Transmission: Converters Systems and DC Grids", Wiley, 2015.
- [2] CIGRE joined WG A3 and B4.34 "Technical Requirements and Specifications of State of the art HVDC Switching Equipment" CIGRE brochure 683, April 2017.
- [3] K. Tahata, S. Oukaili, K. Kamei, et al., "HVDC circuit breakers for HVDC grid applications," Proc. IET ACDC 2015 conference, Birmingham, UK, pp. 1-9, Feb 2015.
- [4] T. Eriksson, M. Backman, S. Halen, A low loss mechanical HVDC breaker for HVDC grid applications, B4-303, CIGRE 2014, Paris.
- [5] L. Ångquist at all, "Design and test of VSC assisted resonant current (VARC) DC circuit breaker" 15th IET International Conference on AC and DC Power Transmission (ACDC 2019), Coventry, UK, Feb. 2019.

- [6] W. Grieshaber, J. Dupraz, D. Penache, et al., "Development and Test of a 120kV direct current circuit breaker," Proc. CIGRÉ Session, Paris, France, pp. 1-11, Aug 2014.
- [7] A. Shukla and G. Demetriades, "A survey on hybrid circuit-breaker topologies," IEEE Trans. Power Del., 30, (2), pp. 627-641, 2015.
- [8] R. Derakhshanfar et al, "Hybrid HVDC breaker – A solution for future HVDC system" CIGRE Paris 2014, B4-304.
- [9] Häfner, J., Jacobson, B.: 'Proactive Hybrid HVDC Breakers - A key innovation for reliable HVDC grids'. Proc. CIGRE 2011 Bologna Symp., Bologna, Italy, Sep 2012, pp. 1-7
- [10] CIGRE WG B4.52 "Feasibility of HVDC grids" *CIGRE technical brochure 533, Paris, April 2013*
- [11] G.F. Tang, X. G. Wei, W.D. Zhou, S. Zhang, C. Gao, Z.Y. He, J. C. Zheng "Research and Development of a Full-bridge Cascaded Hybrid HVDC Breaker for VSC-HVDC Applications", A3-117, CIGRE Paris 2016
- [12] B. Yang, D. Cao, W. Shi, W. Lv, W. Wang, B. Liu, "A novel commutation-based hybrid HVDC circuit breaker", CIGRE B4 colloquium, Winnipeg, October 2017.
- [13] Chuanyue Li, Jun Liang, and Sheng Wang, "Interlink Hybrid DC Circuit Breaker", IEEE Transactions on industrial electronics, vol. 65, no. 11, November 2018.
- [14] W. Lin, D. Jovcic, S. Nguéfeu and H. Saad, "Modelling of High Power Hybrid DC Circuit Breaker for Grid Level Studies," IET Power Electronics, Vol. 9, issue 2, February 2016, pp 237-246
- [15] A. Jehle, D. Pefititsis, and J. Biela, "Unidirectional hybrid circuit breaker topologies for multi-line nodes in HVDC grids," in Proc. 18th Eur. Conf. Power Electron. Appl., Karlsruhe, Germany, 2016, pp. 1–10
- [16] Hassanpoor, A., Häfner, J., Jacobson, B.: 'Technical assessment of load commutation switch in hybrid HVDC breaker', IEEE Transactions on Power Electronics, 2015, 30, (1), pp. 5393-5400
- [17] P. Skarby and U. Steiger, "An Ultra-fast Disconnecting Switch for a Hybrid HVDC Breaker– a technical breakthrough", Proc. CIGRÉ Session, Alberta, Canada, pp. 1-9, Sep 2013
- [18] M Hedayati and D. Jovcic "Reducing peak current and energy dissipation in hybrid HVDC CBs using Disconnector voltage control" IEEE Transactions on Power Delivery, Vol 33, issue 4, pp 2030-2038.
- [19] M. Hedayati, D. Jovcic "Low Voltage Prototype Design, Fabrication and Testing of Ultra-Fast Disconnector (UFD) for Hybrid DC CB" CIGRE B4 colloquium, Winnipeg October 2017

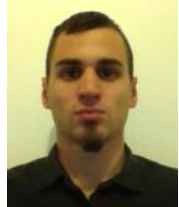


Mohammadhassan Hedayati (S'14-M'16) He received his B.Tech. degree in electrical engineering from the Islamic Azad University, Kazeroun, Iran, in 2006. He received his ME and PhD. degrees from Indian Institute of Science (IISc) Bangalore, India in 2010 and 2015 respectively. He is currently a research fellow at University of Aberdeen, Aberdeen, UK. His primary areas of interests are in Hybrid DC CB, power electronics, motor drives, active damping, common mode and EMI filters and high-power converters.

X. BIOGRAPHIES



Dragan Jovcic (S'97-M'00-SM'06) obtained a Diploma Engineer degree in Control Engineering from the University of Belgrade, Serbia in 1993 and a Ph.D. degree in Electrical Engineering from the University of Auckland, New Zealand in 1999. He is currently a professor with the University of Aberdeen, Scotland where he has been since 2004. In 2008 he held visiting professor post at McGill University, Montreal, Canada. He also worked as a lecturer with University of Ulster, in the period 2000-2004 and as a design Engineer in the New Zealand power industry, Wellington, in the period 1999-2000. His research interests lie in the HVDC, FACTS, dc grids and control systems.



Mario Zaja (S'16) obtained Bachelor's degree in Electrical Power Engineering from University of Zagreb, Croatia in 2013 and Master's degree in Power Electronics and Drives from Aalborg University, Denmark in 2015. He is currently pursuing a PhD degree at the University of Aberdeen, Scotland on the topic of dc grid protection. He also worked at the Converter Control department of Vestas Wind Systems alongside his studies in the period 2014-2015. His research interests include dc grids, renewable energy sources and electric vehicles.